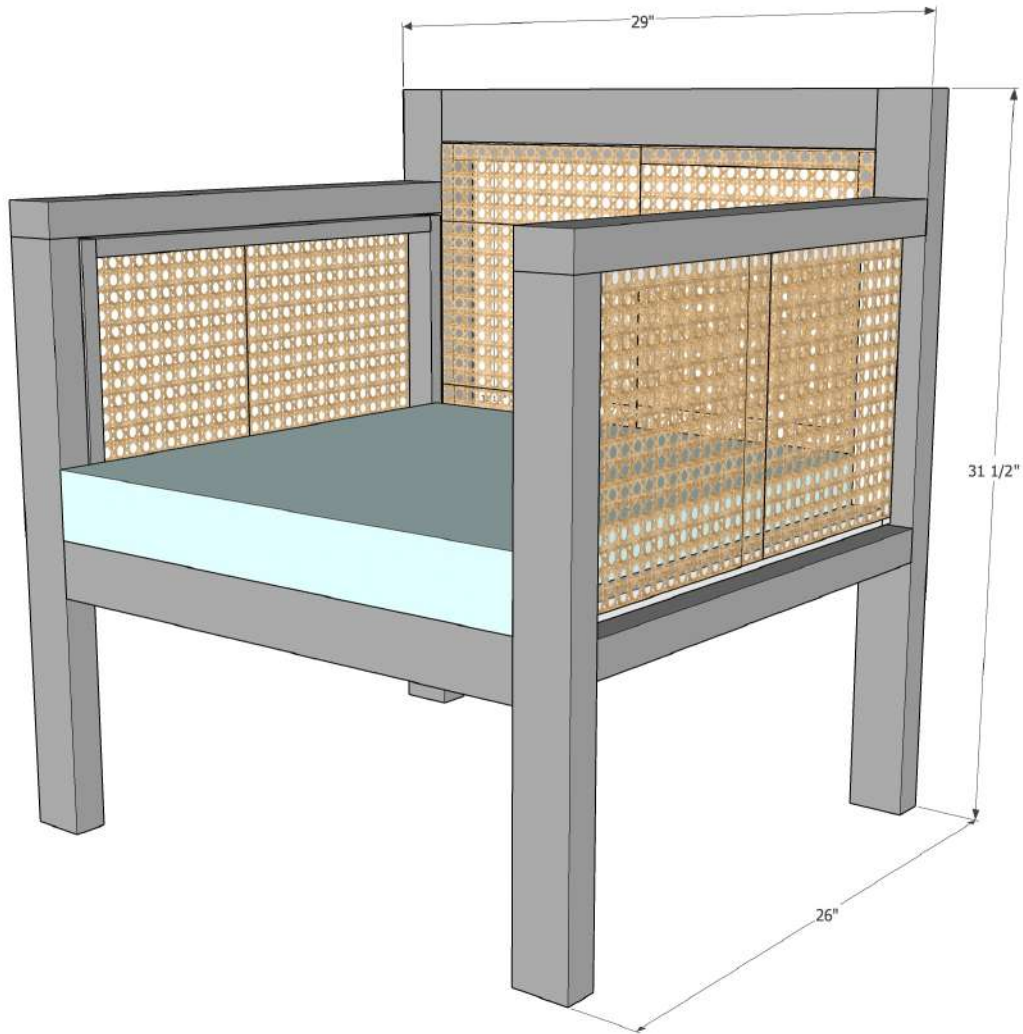




DIY CANE CHAIR



Full tutorial and links to exact products - <https://www.anikasdiylife.com/diy-wood-chair-cane-webbing/>

BEFORE YOU START BUILDING

- Please review plans in detail prior to making any cuts.
- Measure the thickness of your lumber and make adjustments to measurements as needed.
- Use glue unless otherwise stated.

Note: I do not recommend making all the cuts at once. Cutting pieces as you go is the best approach. The measurements are a guide but there are variations in lumber sizes that need to be accommodated. Builds work better if you cut as you build

Lastly and most importantly - be sure to follow all the safety precautions and follow all manufacturer guidelines while using tools.

LUMBER NEEDED

- (5) 2 x 3 x 8' board
- (3) 1 x 2 x 8' board

TOOLS NEEDED

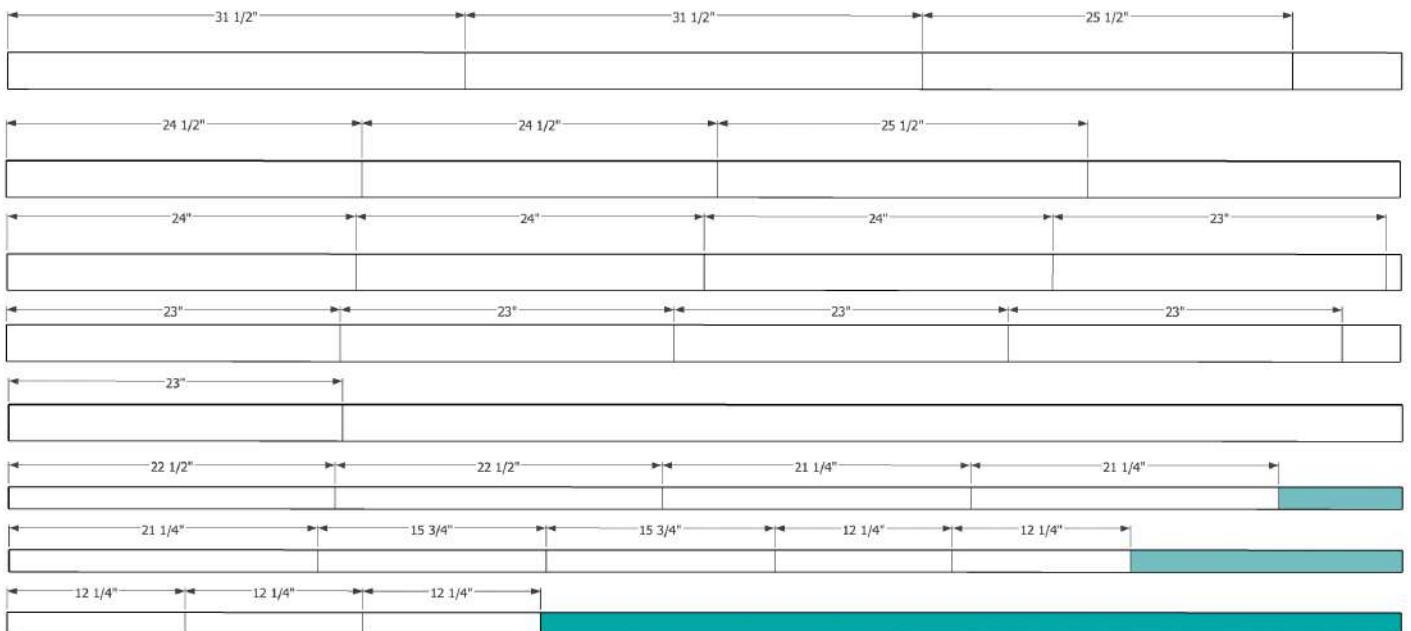
- Miter Saw or circular saw
- Power Drill
- Kreg Jig
- Staple Gun
- Nail Gun
- Rubber mallet

SUPPLIES NEEDED

- 2-1/2" pocket hole screws
- 1-1/4" pocket hole screws
- Wood glue
- Cane webbing (24" wide. Total 7 feet. This project needs a little over 6 feet)
- 5/16" staples
- 1-1/4" finish nails

CUT LIST

- (2) 2x 3 @ 24.5" (arms)
- (2) 2x3 @ 23" (long aprons)
- (3) 2x3 @ 24" (short aprons and back support)
- (2) 2x3 @ 31-1/2" (back legs)
- (2) 2x3 @ 25-1/2" (front legs)
- (4) 2x3 @ 23" (slats)
- (4) 1x2 @ 12-1/4" (cane frame short - arms)
- (4) 1x2 @ 21-1/4" (cane frame long - arms)
- (2) 1x2 @ 15-3/4" (cane frame short - back)
- (2) 1x2 @ 22-1/2" (cane frame long - back)

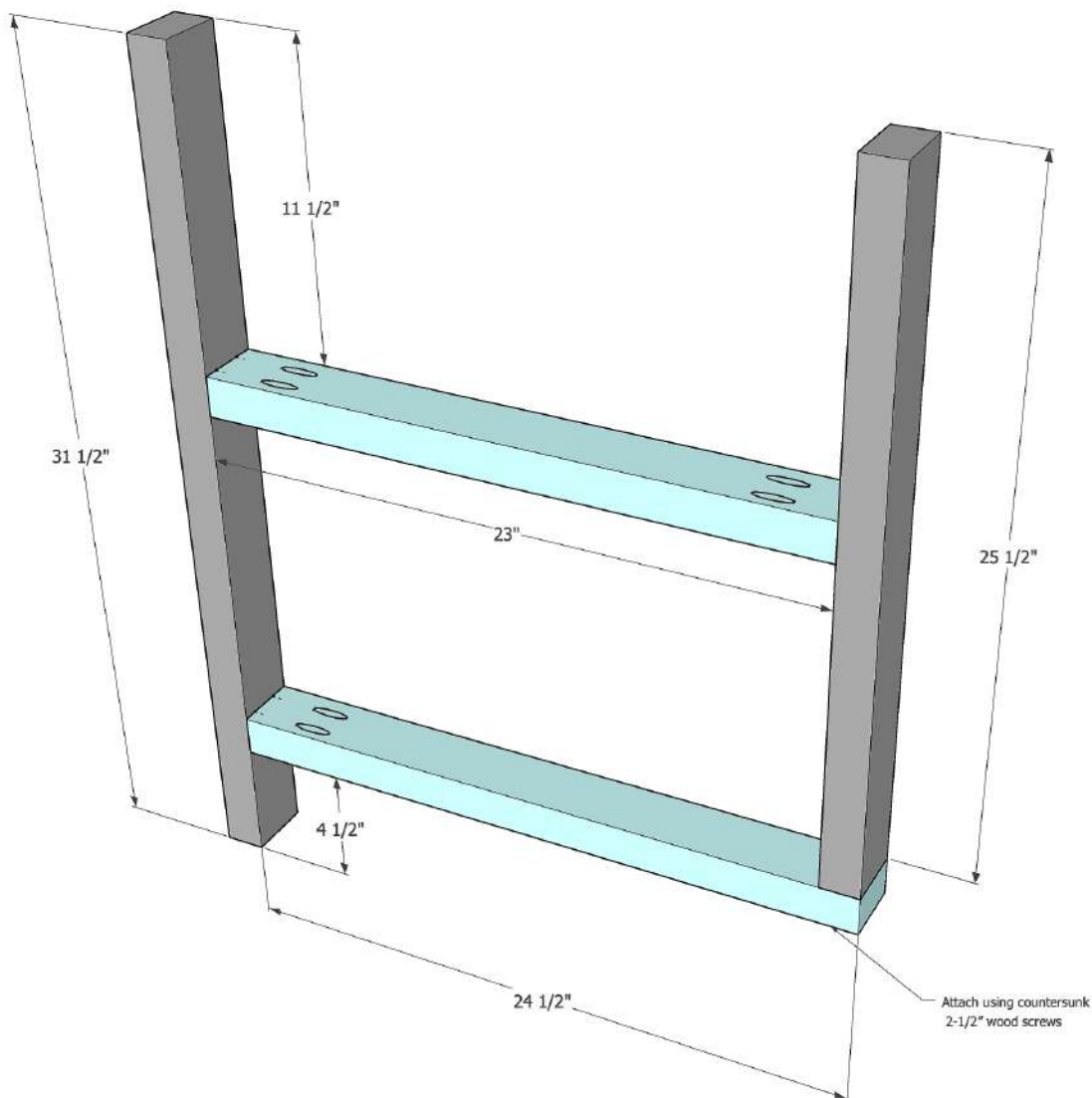


STEP 1

Start by building the arms by attaching the boards as shown below. The pocket holes are made with the Kreg Jig at the 1-1/2" setting. There are three joints using wood glue and 2-1/2" pocket hole screws.

On the front of the arm, it is attached using countersunk 2-1/2" wood screws. Once countersunk, you can use wood filler or a dowel to fill the hole.

Build two of these.

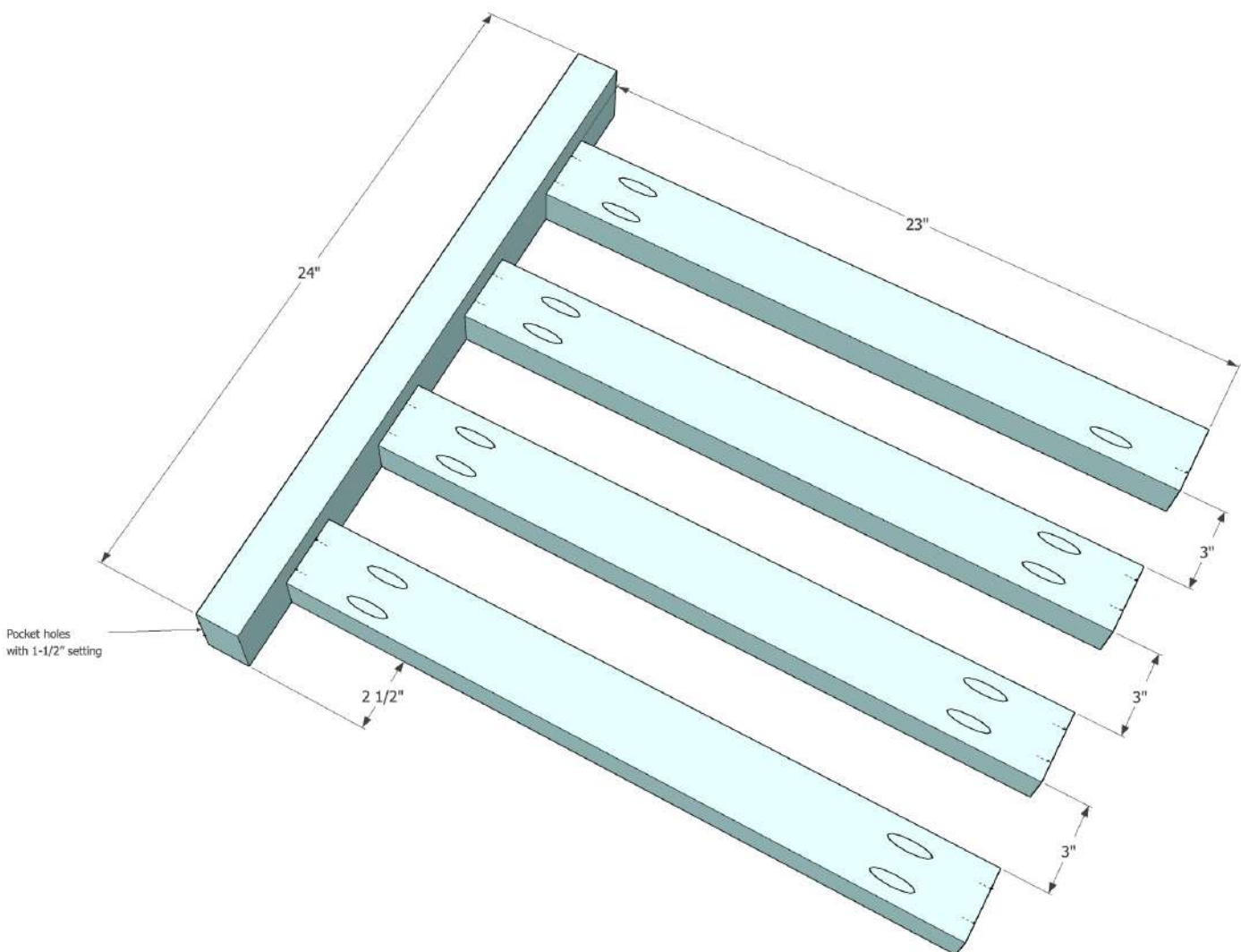


STEP 2

Build the seat by attaching the 2x3 slats to the back apron.

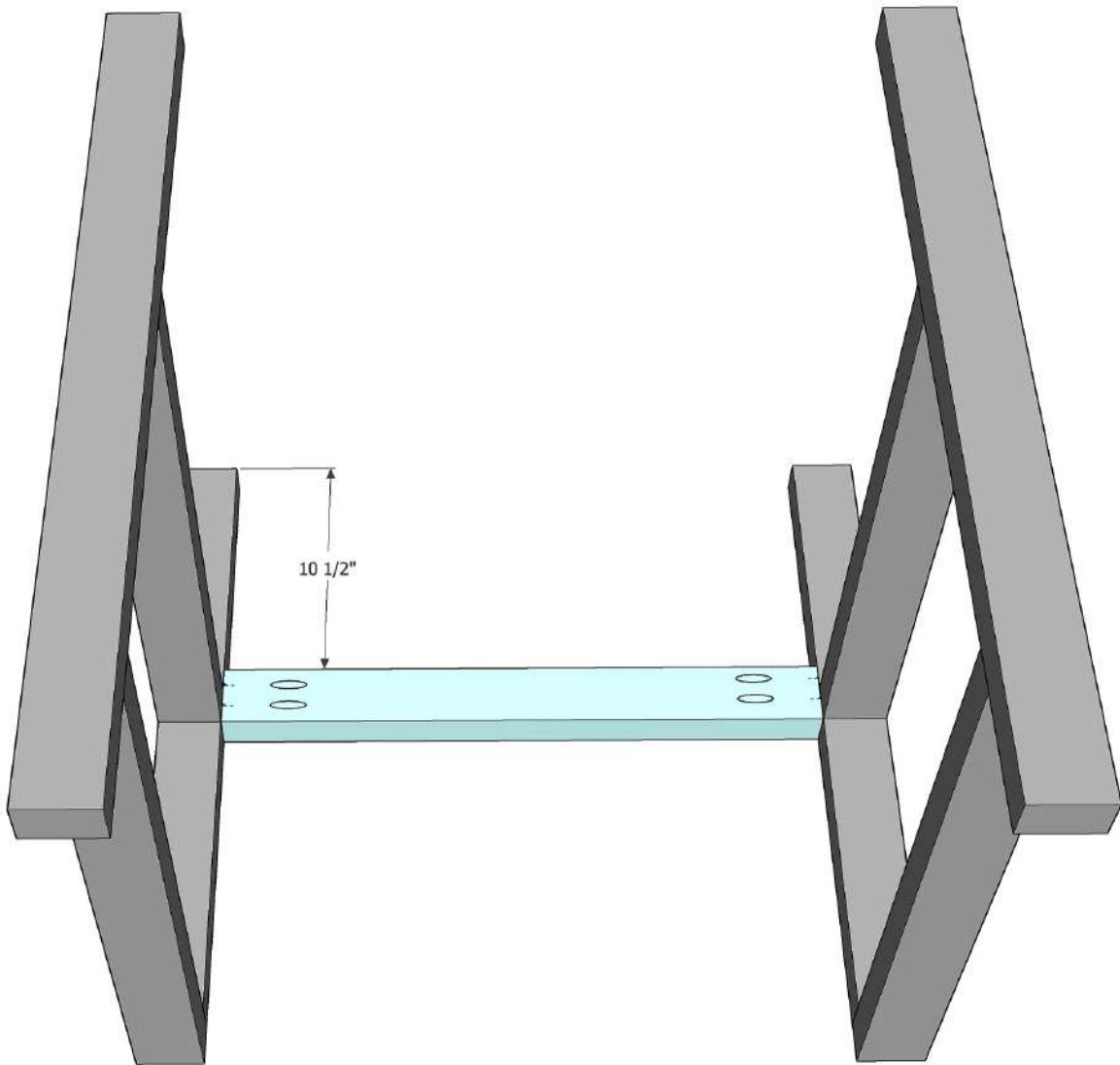
The back apron has pocket holes on both ends facing outwards.

The 2x3 slats are aligned with the bottom edge of the back apron. Attach with wood glue and 2-1/2" pocket hole screws.



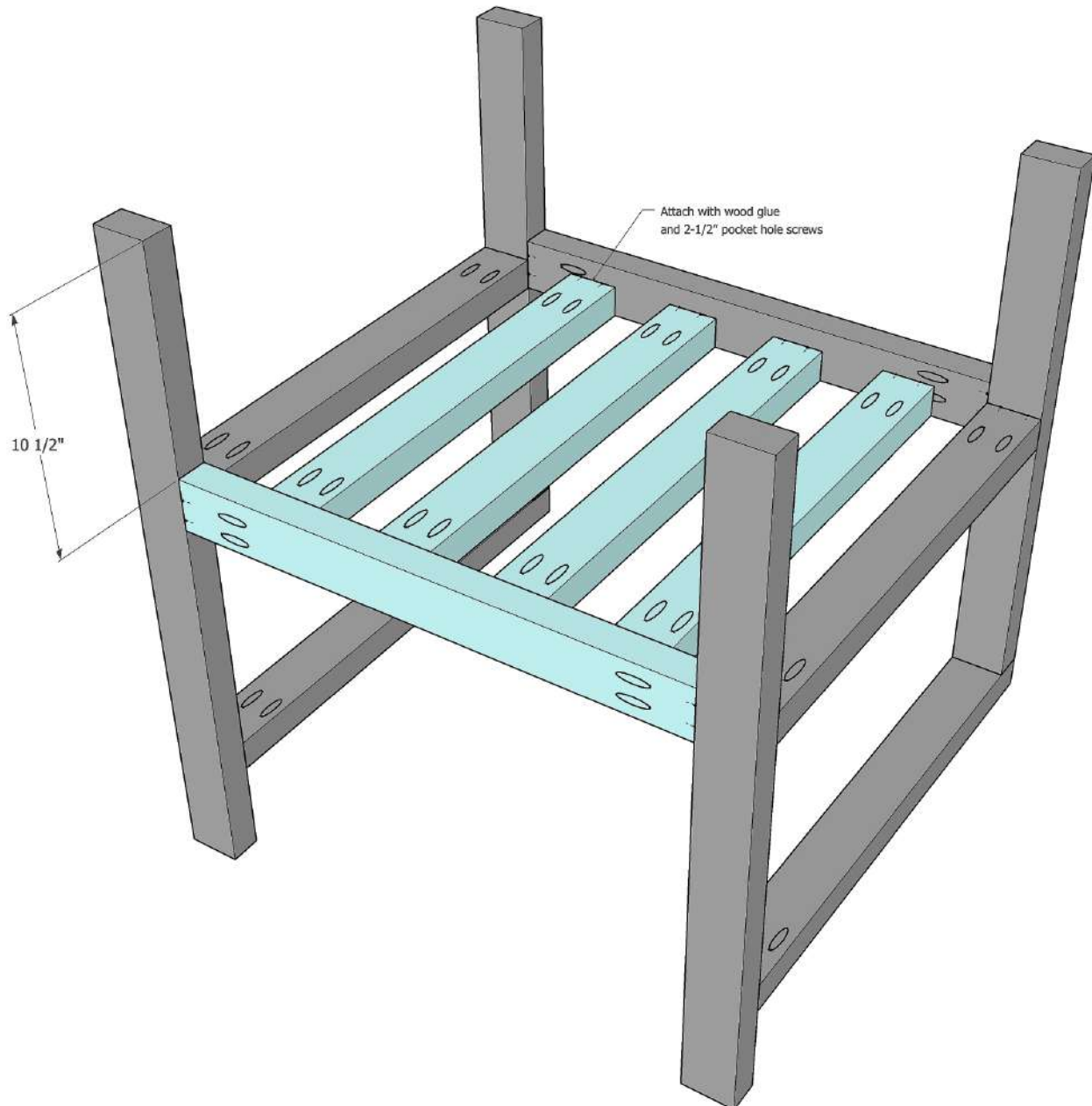
STEP 3

Attach the front apron to the two arm frames as shown below using wood glue and 2-1/2" pocket hole screws. The pocket holes are towards the inside of the chair.



STEP 4

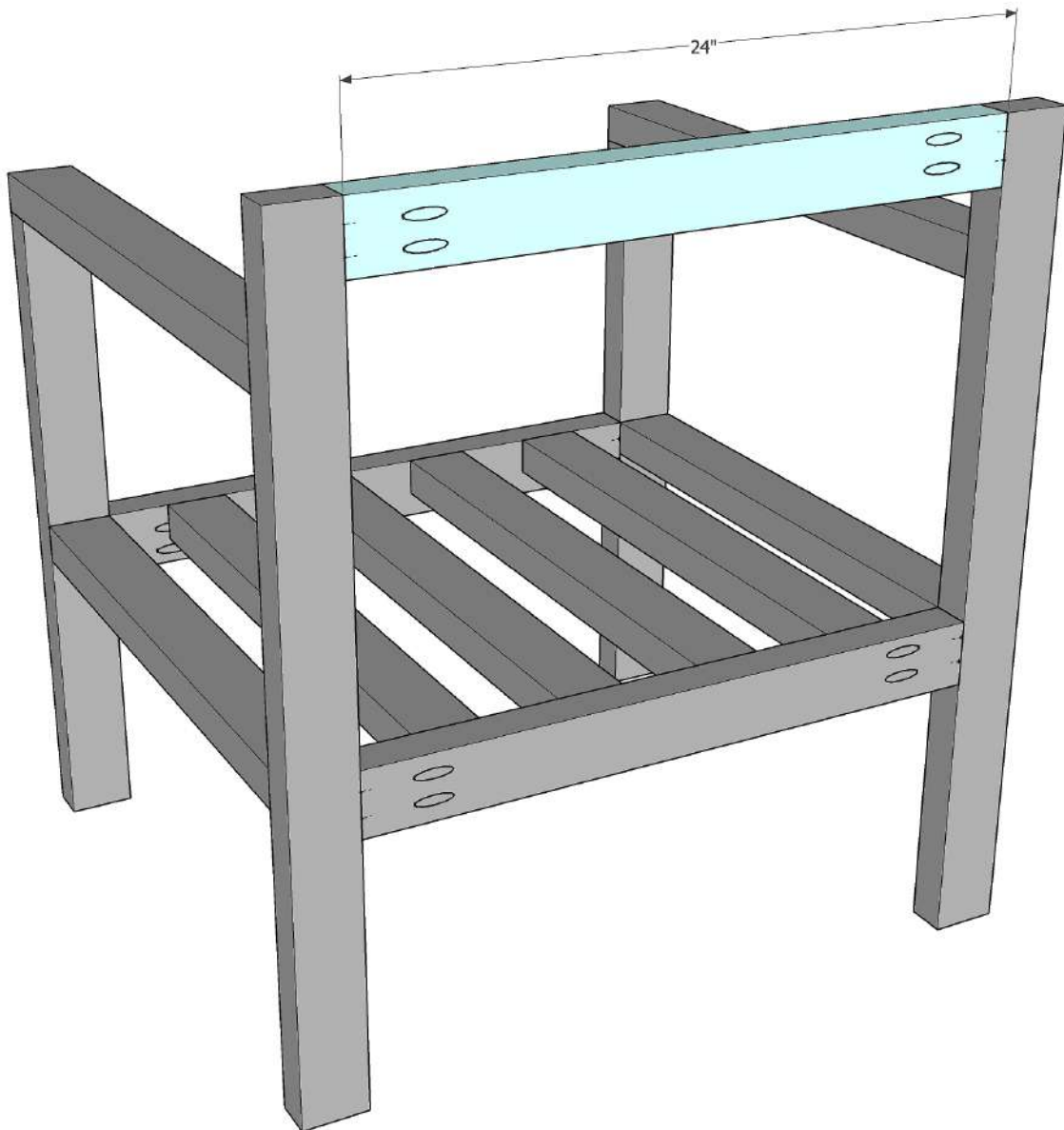
Attach the slats built in step 2 between the arm frames by attaching the back apron to the arms and the slats to the front apron using wood glue and pocket hole screws.



STEP 5

Attach the back support using wood glue and 2-1/2" pocket hole screws. The pocket holes are towards the outside. You can fill this with a wooden dowel or wood filler.

The basic frame of the chair is ready.



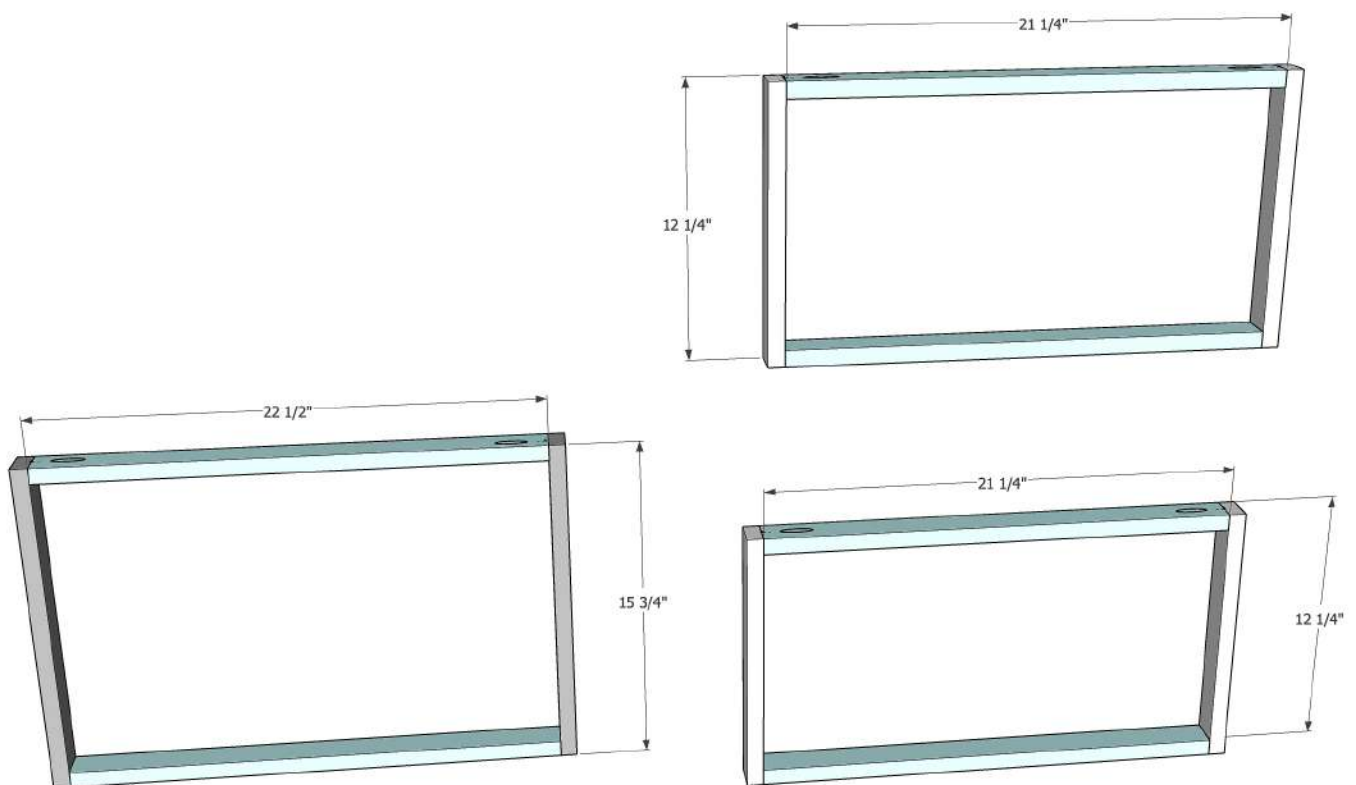
STEP 6

Build the frame for the cane webbing using the 1x2 boards as shown with wood glue and 1-1/4" pocket hole screws.

There are two identical frames for the arms and one for the back.

The frames are designed to be 1/4" smaller than the openings on all sides to accommodate the cane webbing.

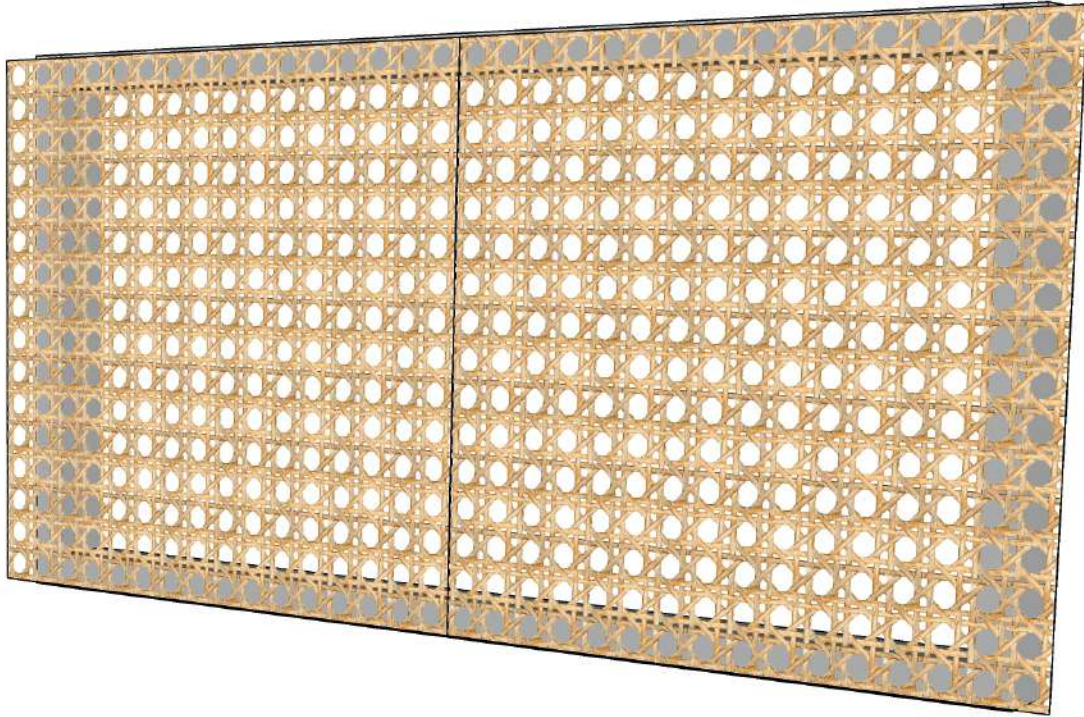
You may need to make it larger or smaller based on the thickness of the cane webbing and the size of the opening.



This is a good time to stain or paint the chair and the frames in the color of your choice.

STEP 7

“Upholster” the frames by wrapping it in cane webbing using a staple gun and 5/16” staples.

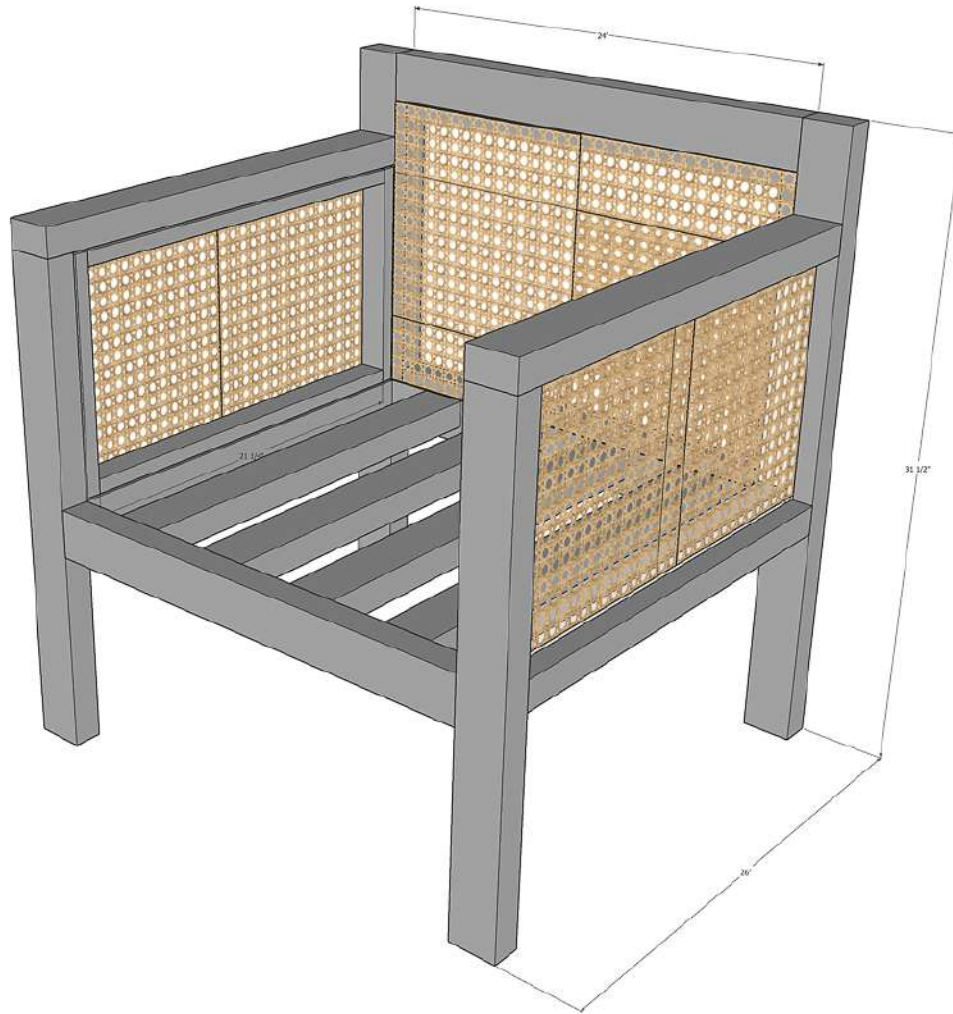


STEP 8

Insert the frames with cane webbing into the arm and back opening. The arms are inserted from the inside of the chair and the back is inserted from the back of the chair.

You may need a rubber mallet to tap it into place.

Once inserted, fasten them using finish nails to the chair.



That's it! Add any 24"x 24" cushion for the seat and enjoy!

If you have any questions, feel free to reach out to me at anika@anikasdiylife.com

See MANY more projects at www.anikasdiylife.com

I can't wait to see what you make!

Upload and share a photo of your completed project by tagging me on any of the following social media:



facebook.com/anikasdiylife



instagram.com/anikasdiylife/

Don't forget to subscribe to my [YouTube channel](#) for lots of inspiration and projects!!