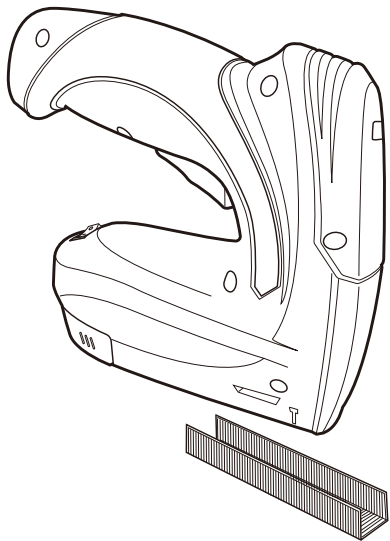


ARROW™ 
HOW IT ALL COMES TOGETHER

CORDLESS ELECTRIC STAPLE GUN



JT21®
STAPLES

Agrafeuse/Électrique Sans Fil
Grapadora/Eléctrica Inalámbrica

Caution: Please read the manual carefully.

Misuse of this product could cause property or
equipment damage and/ or personal injury.

Arrow Fastener Company, LLC
271 Mayhill Street
Saddle Brook, New Jersey, 07663, USA

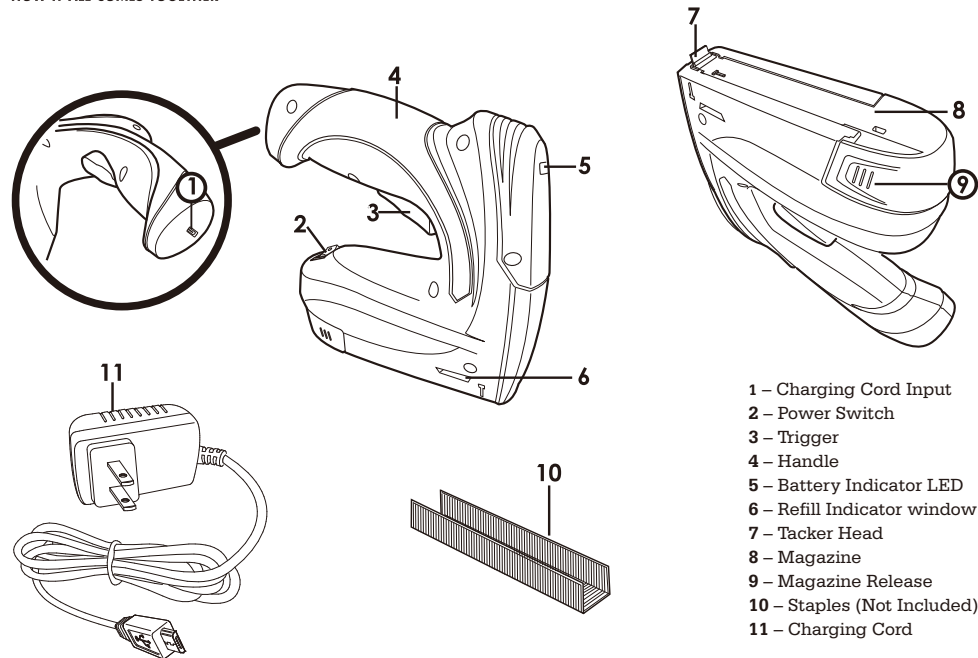
Made in China
Fabriqué en Chine
Hecho en China

E21 Rev 0719

Table of Contents

| | |
|-----------------------------|---|
| Parts | 2 |
| Tool Specifications | 3 |
| Staple Specifications | 3 |
| Charging | 3 |
| Loading Staples | 4 |
| Operation | 5 |
| Trouble Shootings | 5 |
| Warning | 6 |

ARROW  **PART**
HOW IT ALL COMES TOGETHER



ARROW™ TOOL SPECIFICATIONS

HOW IT ALL COMES TOGETHER

Battery Voltage: 3.6V
Battery Capacity: 1500 mAh
Charging Time: about 3 hours
Magazine Capacity: Up to 100 staples

STAPLE SPECIFICATIONS

Fire staples:



Width of staples: 11.4 mm externally
Staple lengths: 6–10 mm

CHARGING

Insert the charging Cord (12) into the Charging Cord Input (1) and plug the Charging Cord into a power outlet. (Fig. 1)

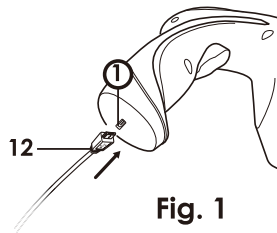


Fig. 1

The Battery Indicator LED (5) will illuminate red while the unit is charging and turn green once the unit has fully charged.

NOTE: The initial charge could take about 3 hours. Do not fully charge battery if it is not to be used for an extended period of time. The battery can be recharged at any time during use.

When in use, the battery indicator LED will only illuminate when the Trigger (3) is pressed. If the LED is green, the battery has power. If the LED is red, the battery level is low.

ARROW™ LOADING STAPLES

HOW IT ALL COMES TOGETHER

Press the power SWITCH (2) to the “OFF” position, Hold the unit upside down.

Squeeze both sides of the Magazine Release (9) and slide the Magazine to the open position (Fig.2)

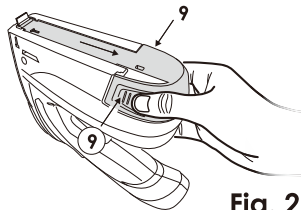


Fig. 2

Staples:

Load staples (11) into the magazine channel. (Fig 3) Close the Magazine until it clicks into place.

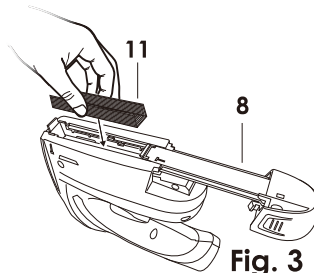


Fig. 3

NOTE: The Refill Indicator Window (6) can be utilized to view the amount of staples loaded in the tool

⚠ WARNING:

Keep hands away from trigger while loading.

Press the Power Switch (2) to the "ON" position.

Hold the unit with a firm grip on the Handle (4) and place in the desired location on the work surface

Firmly press down so that the Tacker Head (7) is depressed against the work surface.

Squeeze the Trigger (3) to deliver a staple into work surface. (Fig.5)

Once a staple has been delivered, release the trigger, lift the tool off the work surface and press the Power Switch to the "OFF" position

NOTE: The unit will not operate unless both the Tacker Head and the Trigger are pressed at the same time. This is a safety feature.

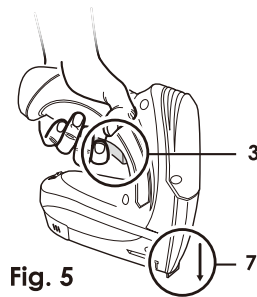


Fig. 5

TROUBLE SHOOTINGS

| Problem | Solution |
|-----------------------------|--|
| No Power Or Tool Not Firing | <ul style="list-style-type: none">• Make sure the battery is charged.• Make sure the trigger & the tacker head are being pressed at the same time.• Check for staple jams. |
| Cleaning Jams | <ul style="list-style-type: none">• Remove jams by putting the unit in the "OFF" position, opening the magazine and clearing any obstructed staples. |

⚠ WARNING:

Read all safety warnings and all instructions. Failure to follow the warnings and instructions may result in electric shock, fire and/ or serious injury.

Save all warnings and instructions for future reference.

Work area safety

- Keep work area clean and well lit. Cluttered or dark areas invite accidents.
- Do not operate power tools in explosive atmospheres, such as in the presence of flammable liquids, gases or dust. Power tools create sparks which may ignite the dust or fumes.
- Keep children and bystanders away while operating a power tool. Distractions can cause you to lose control.

Electrical safety

- Power tool plugs must match the outlet. Never modify the plug in any way. Do not use any adapter plugs with earthed (grounded) power tools. Unmodified plugs and matching outlets will reduce risk of electric shock.
- Avoid body contact with earthed or grounded surfaces such as pipes, radiators, ranges and refrigerators. There is an increased risk of electric shock if your body is earthed or grounded.
- Do not expose power tools to rain or wet conditions. Water entering a power tool will increase the risk of electric shock.
- Do not abuse the cord. Never use the cord for carrying, pulling or unplugging the power tool. Keep cord away from heat, oil, sharp edges or moving parts. Damaged or entangled cords increase the risk of electric shock.
- When operating a power tool outdoors, use an extension cord suitable for outdoor use. Use of a cord suitable for outdoor use reduces the risk of electric shock.
- If operating a power tool in a damp location is unavoidable, use a residual current device (RCD) protected supply. Use of an RCD reduces the risk of electric shock.

NOTE The term "residual current device (RCD)" may be replaced by the term "ground fault circuit interrupter (GFCI)" or "earth leakage circuit breaker (ELCB)".

Personal safety

- Stay alert, watch what you are doing and use common sense when operating a power tool. Do not use a power tool while you are tired or under the influence of drugs, alcohol or medication. A moment of inattention while operating power tools may result in serious personal injury.
- Use personal protective equipment. Always wear eye protection. Protective equipment such as dust mask, non-skid safety shoes, hard hat, or hearing protection used for appropriate conditions will reduce personal injuries.
- Prevent unintentional starting. Ensure the switch is in the off-position before connecting to power source and/or battery pack, picking up or carrying the tool. Carrying power tools with your finger on the switch or energising power tools that have the switch on invites accidents.
- Remove any adjusting key or wrench before turning the power tool on. A wrench or a key left attached to a rotating part of the power tool may result in personal injury.
- Do not overreach. Keep proper footing and balance at all times. This enables better control of the power tool in unexpected situations.
- Dress properly. Do not wear loose clothing or jewellery. Keep your hair, clothing and gloves away from moving parts. Loose clothes, jewellery or long hair can be caught in moving parts.
- If devices are provided for the connection of dust extraction and collection facilities, ensure these are connected and properly used. Use of dust collection can reduce dust-related hazards.

Power tool use and care

- Do not force the power tool. Use the correct power tool for your application. The correct power tool will do the job better and safer at the rate for which it was designed.
- Do not use the power tool if the switch does not turn it on and off. Any power tool that cannot be controlled with the switch is dangerous and must be repaired.
- Disconnect the plug from the power source and/or the battery pack from the power tool before making any adjustments, changing accessories, or storing power tools. Such preventive safety measures reduce the risk of starting the power tool accidentally.
- Store idle power tools out of the reach of children and do not allow persons unfamiliar with the power tool or these instructions to operate the power tool. Power tools are dangerous in the hands of untrained users.
- Maintain power tools. Check for misalignment or binding of moving parts, breakage of parts and any other condition that may affect the power tool's operation. If damaged, have the power tool repaired before use. Many accidents are caused by poorly maintained power tools.
- Keep cutting tools sharp and clean. Properly maintained cutting tools with sharp cutting edges are less likely to bind and are easier to control.
- Use the power tool, accessories and tool bits etc. in accordance with these instructions, taking into account the working conditions and the work to be performed. Use of the power tool for operations different from those intended could result in a hazardous situation.

Battery tool use and care

- Recharge only with the charger specified by the manufacturer. A charger that is suitable for one type of battery pack may create a risk of fire when used with another battery pack.
- Use power tools only with specifically designated battery packs. Use of any other battery packs may create a risk of injury and fire.
- When battery pack is not in use, keep it away from other metal objects, like paper clips, coins, keys, nails, screws or other small metal objects, that can make a connection from one terminal to another. Shorting the battery terminals together may cause burns or a fire.
- Under abusive conditions, liquid may be ejected from the battery; avoid contact. If contact accidentally occurs, flush with water. If liquid contacts eyes, additionally seek medical help. Liquid ejected from the battery may cause irritation or burns.

Service

- Have your power tool serviced by a qualified repair person using only identical replacement parts. This will ensure that the safety of the power tool is maintained.

Tacker safety warnings

- Always assume that the tool contains fasteners. Careless handling of the stapler can result in unexpected firing of fasteners and personal injury.
- Do not point the tool towards yourself or anyone nearby. Unexpected triggering will discharge the fastener causing an injury.
- Do not actuate the tool unless the tool is placed firmly against the workpiece. If the tool is not in contact with the workpiece, the fastener may be deflected away from your target.
- Disconnect the tool from the power source when the fastener jams in the tool. While removing a jammed fastener, the stapler may be accidentally activated if it is plugged in.
- Use caution while removing a jammed fastener. The mechanism may be under compression and the fastener may be forcefully discharged while attempting to free a jammed condition.

NOTE This warning may be omitted for stapler/nailer that do not utilize a stored potential energy to drive the fasteners.

- Do not use this stapler for fastening electrical cables. It is not designed for electric cable installation and may damage the insulation of electric cables thereby causing electric shock or fire hazards.

Functional description

V Volts

A Amperes

 or d.c. Direct Current

~ or a.c. Alternating Current



Obey all safety messages that follow this symbol to avoid possible injury or death.



To avoid loss of hearing, always wear ear protection when operating the tool.



Always wear safety glasses when operating the tool.



To reduce the risk of injury, user must read the instruction manual

ARROW  TM
HOW IT ALL COMES TOGETHER